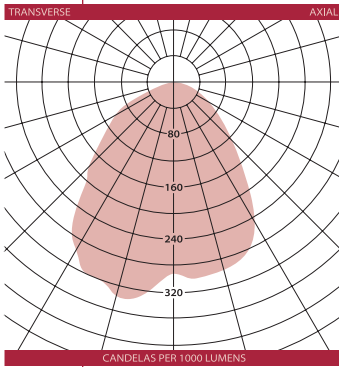


COMPACT 65

Photometric Data for broad distribution luminaires

250W SON-T GLASS COVER

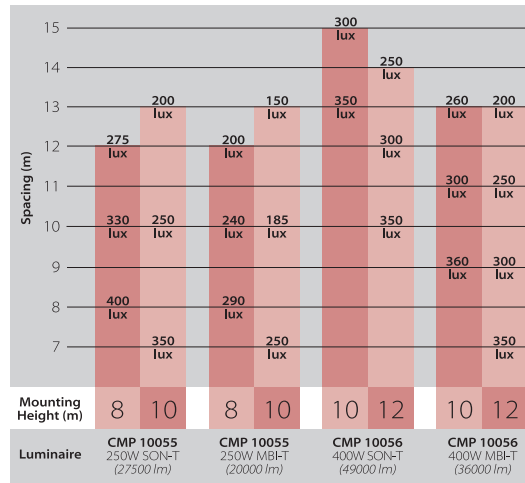
D.L.O.R. 73% U.L.O.R 0% SHR max 1.40



LUMINOUS INTENSITY in cd/1000lm		
ANGLE (degrees)	TRANSVERSE PLANE	AXIAL PLANE
0	294	294
5	316	302
10	336	302
15	339	299
20	324	294
25	322	279
30	298	252
35	268	206
40	210	161
45	182	126
50	145	103
55	122	86
60	105	68
65	71	48
70	11	28
75	6	13
80	3	5
85	1	1
90	0	0

UTILISATION FACTORS UF (F)		SHR. NOM. 1.25										
ROOM REFLECTANCE			ROOM INDEX									
C	W	F	0.75	1.00	1.25	1.50	2.00	2.50	3.00	4.00	5.00	
0.70	0.50	0.20	0.48	0.55	0.60	0.64	0.69	0.72	0.74	0.76	0.78	
	0.30		0.43	0.50	0.56	0.60	0.65	0.68	0.71	0.74	0.76	
	0.10		0.39	0.47	0.52	0.56	0.62	0.66	0.68	0.72	0.74	
0.50	0.50	0.20	0.47	0.54	0.59	0.62	0.66	0.69	0.71	0.73	0.75	
	0.30		0.42	0.50	0.55	0.58	0.63	0.66	0.69	0.72	0.73	
	0.10		0.39	0.46	0.52	0.55	0.61	0.64	0.67	0.70	0.72	
0.30	0.50	0.20	0.46	0.52	0.57	0.60	0.64	0.67	0.69	0.71	0.72	
	0.30		0.42	0.49	0.54	0.57	0.62	0.65	0.67	0.69	0.71	
	0.10		0.39	0.46	0.51	0.55	0.60	0.63	0.65	0.68	0.70	
0.00	0.00	0.00	0.37	0.44	0.49	0.53	0.57	0.60	0.62	0.65	0.66	

Spacing guidance for narrow distribution luminaires used in narrow racking aisles



Illumination levels are initial average horizontal at floor level.

Luminaire orientation with lamp parallel to racks.

Luminaire should be hung/fixe dead level (horizontal).

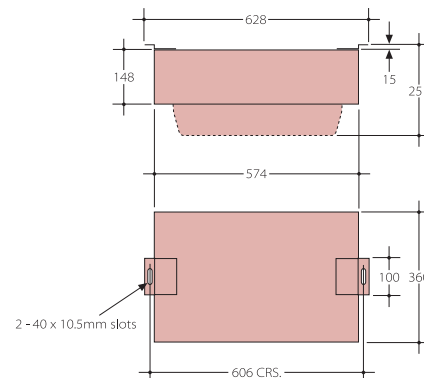
For polycarbonate versions: multiply lux values by 0.96.

Accessories

DESCRIPTION	NUMBER
Gasket kit (for sealing luminaire to ceiling)	CMP 10050

Spares

DESCRIPTION	NUMBER
Polycarbonate cover	CMP 10087
Toughened/safety glass cover	CMP 10088
GES skirted lampholder	LH 5034
ES skirted lampholder (auxiliary lamp)	LH 4726
250W tungsten halogen lamp (auxiliary)	LMP 6713



COMPACT 65

Low depth sealed and protected luminaires for damp and humid environments

Classified IP65  

- Anodised aluminium reflectors
- Broad distribution reflector for general use
- Narrow distribution reflector for high level racking
- Welded aluminium body, white finish
- Suitable for food areas
- Choice of hinged clear polycarbonate or flat toughened/safety glass covers
- Ballast protected by thermal cut-out
- Auxiliary lamp option



Range

LAMP	GLASS NUMBER	LAMP MANUFACTURER	POLY NUMBER	LAMP MANUFACTURER	kg
BROAD DISTRIBUTION					
250W SON-T	CMP 10051	ALL	CMP 10053	ALL	7.5
400W SON-T	CMP 10052	ALL	CMP 10054	ALL	8.5
250W MBI-T	CMP 10051	O/V/I	CMP 10053	I	7.5
250W MBI-T	CMP 10563	P	-	-	7.5
400W MBI-T	CMP 10052	O/V/I	-	-	8.5
400W MBI-T	CMP 10564	P	-	-	8.5
NARROW DISTRIBUTION					
250W SON-T	CMP 10055	ALL	CMP 10057	ALL	7.5
400W SON-T	CMP 10056	ALL	CMP 10058	ALL	8.5
250W MBI-T	CMP 10055	O/V/I	CMP 10057	I	7.5
250W MBI-T	CMP 10565	P	-	-	7.5
400W MBI-T	CMP 10056	O/V/I	-	-	8.5
400W MBI-T	CMP 10566	P	-	-	8.5

AUXILIARY LAMP VERSION - add 'X' after catalogue number e.g. **CMP 10053X** etc.

IMPORTANT: SON LAMPS WITH INTERNAL STARTERS ARE NOT RECOMMENDED.

LAMPS: V - Venture (White-lux) O - Osram (Powerstar HQI-T)
I - Iwasaki (UV-Stop Multi White Ace) P - Philips (HPIT Plus)

LAMPS MUST BE ORDERED SEPARATELY, SEE PAGE 78 FOR DETAILS

