




FLAMEPROOF TYPE Ex 'd' ELECTRONIC FLUORESCENT LUMINAIRE

APPLICATIONS

- Zone 1 hazardous gas areas
- Zone 21 hazardous dust environments
- General purpose lighting and emergency maintained and non-maintained lighting
- Chemical and pharmaceutical industries
- Spray paint booths
- Particularly suited for safety and exit luminaires
- Arduous industrial applications
- Over-door escape routes

CERTIFICATION AND APPROVAL

ATEX Certificate No. SIRA00ATEX1021X

CE  II 2 GD EEx d IIC
EEx d IIC T6 (Ta = -20°C to +55°C)

Note: Certification details are subject to alteration without notice. Check with Sales or Technical Department before placing order.

Ingress protection to IP66, IP67 and IP68

GOST Approved

FEATURES AND BENEFITS

- Up to 3 hours battery duration
- Maintained, non maintained or switched emergency operation
- High frequency electronic control gear reduces running costs by up to 15%
- Simple 'Uni-Strut' fixing
- Compact design
- Suitable for high ambient areas
- Cool running improves T-rating
- Lightweight and low profile construction
- Quick lamp start, flicker free

ORDERING REFERENCE

Std. Cat Ref.	Wattage	Lamp Type	Lampholder	T Class	T °C (Dust)	Ambient °C
VISD/108/B1	1x8W	Bi-Pin	T5	T6	85	55
VISD/208/B1	2x8W	Bi-Pin	T5	T6	85	55
VISD/108/B1/EM	1x8W	Bi-Pin	T5	T6	85	55

TECHNICAL SPECIFICATION

LAMP TYPES

T5 Bi-pin fluorescents.
8W (300mm luminaire).

POWER SUPPLY

240V 50/60Hz AC

EMERGENCY LIGHT OUTPUT

Typical 30% of total light output for 3 hours duration at 25°C for single lamp version.

POWER CONSUMPTION

1 x 8W Lamp - 8W circuit watts at 240V -0.04A
1 x 8W Lamp - Emergency

POWER FACTOR

Greater than 0.95

TERMINALS

Up to 6mm². Terminals for live, live switched, neutral, earth, and looping are provided. Internally earthed. External earth provided.

CABLE ENTRIES

Two M20 x 1.5, other entries adaptors available on request. The type of cable gland used must maintain the flameproof protection.

TEMPERATURE

Surface temperature classification T6
Ambient temperature range up to -20°C to +55°C

MATERIALS

Main body - LM25 aluminium alloy.
Borosilicate glass overtube, stainless steel reflector.

WEIGHT

1 x 8W Lamp - 5kg
2 x 8W Lamp - 5kg
1 x 8W Lamp Emergency - 5.5kg

SUSPENSION

Standard support channel supplied will accept Ø 10mm fasteners with variable fixing points and compatible with existing cable support systems.

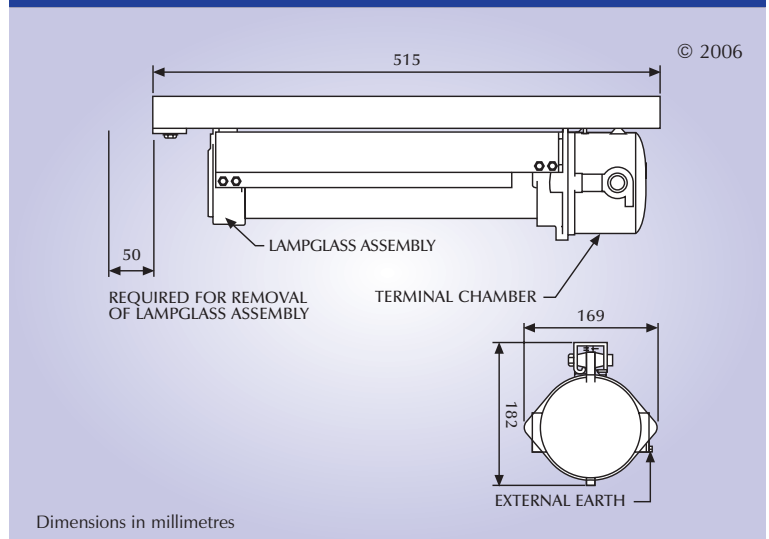
OPTIONS - SUFFIX TO CATALOGUE REF.

/M25 M25 Entries

ACCESSORIES

Description	Part No.
Ceiling mount bracket (2 required per luminaire)	SEXCE-00001
Pole clamp s/s (35-40mm dia)	SEXCE-00002
Pole clamp s/s (40-50mm dia)	SEXCE-00003
Wall bracket	SEXCE-00009
Exit legend kit (adhesive, up & down)	SPATE-00002
Exit legend kit (adhesive, left & right)	SPATE-00003
Exit legend kit (chain hanging, no direction)	SPATE-00005
Exit legend kit (chain hanging, up arrow)	SPATE-00006
Exit legend kit (chain hanging, down arrow)	SPATE-00007
Exit legend kit (chain hanging, right arrow)	SPATE-00008
Exit legend kit (chain hanging, left arrow)	SPATE-00009

DIMENSIONS



To calculate photometric values for lighting design, please use the free Victor "Lite Guide" software package. To request your copy, please contact your local Victor agent or use the request form on the website.